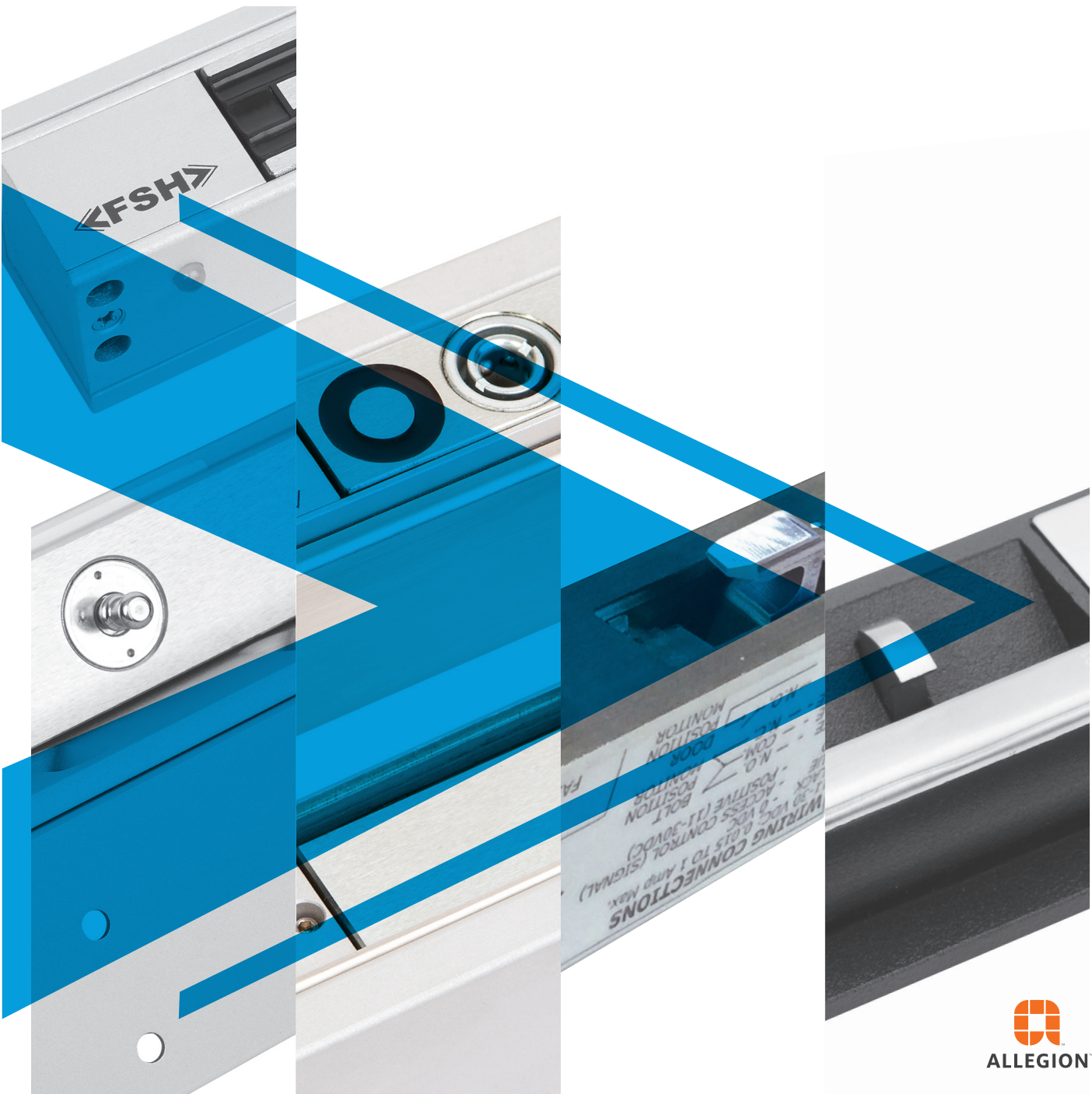




FSH LOCKING

High Security Motorised Hook Lock



FSH is an Allegion™ company

PRODUCT HL1260

HIGH SECURITY MOTORISED HOOK LOCK for Sliding Doors



PRODUCT DESCRIPTION

The patented HL1260 is a high torque motor driven hook lock for a sliding door. It can be installed vertically in the door frame (lock style) with the strike plate mounted on the edge of the door.

Alternatively there is a surface mount box for the strike plate and/or lock for a sliding door.

The HL1260 can also be mounted with the surface mount box on the door header with the face plate on the face of a swing door.

The HL1260 is considered a "Green Product" as it consumes an in-rush current of 290mA@12VDC only during locking and unlocking action (active Mode), then in the locked or unlocked state (Sleep-Mode), the drop Bolt consumes current less than 15mA@12VDC.

The Hook Lock HL1260 should not be installed to doors exposed to wind and weather.

HL1260

TECHNICAL DETAILS

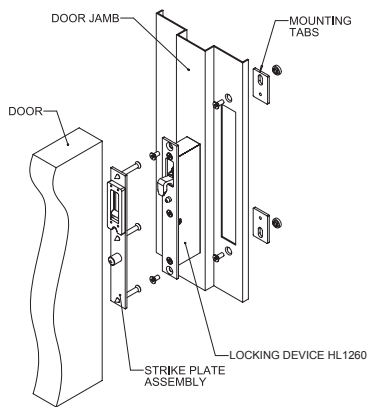
PART NO.	HL1260
FUNCTION	Mortise Mount, power-to-lock/power-to-release field interchangeable
HOLDING STRENGTH	Up to 650kg
VOLTAGE/CURRENT	Multi Voltage 12-30VDC Active Mode: Locking/Unlocking cycle current is 0.29A to 0.85A depending on the load Sleep-Mode: After locking/unlocking the current drops down to ~0.015A (15mA)
APPROVALS	CE C-Tick
MONITORING	<u>Lock Status Sensor</u> of the internal locking mechanism <u>Door Status Sensor</u> Built-in Reed Switch, monitoring the door position
ENVIRONMENTAL	Operational Temperature Range -20 to +60C
DURABILITY	Exceeding Australian Standard AS4145.2-2008 400,000 operating cycles • Durability D7
STRENGTH	Meeting Australian Standard AS4145.2-2008 • Static Strength S8 • Impact Strength S8

PRODUCT FEATURES

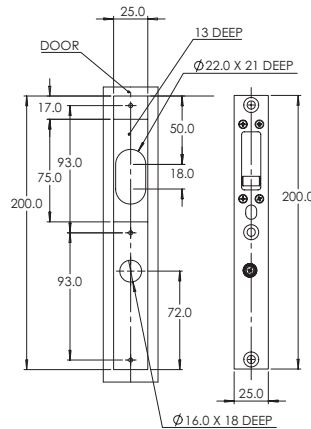
- Motorised locking device
- Durability tested to 400,000 cycles
- Multi voltage from 12 to 30VDC
- Sleep-Mode Current less than 15mA@12VDC
- Fully monitored including Reed Switch for door position
- Up to 650 kg Holding Strength
- 5 year warranty

PRODUCT DIMENSIONS AND INSTALLATION

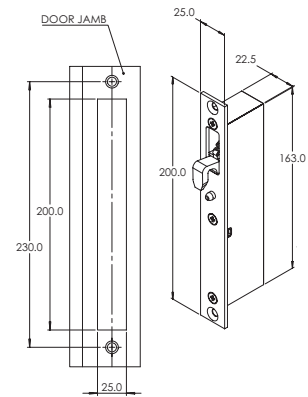
HL1260 Hook Lock Mortise Mount



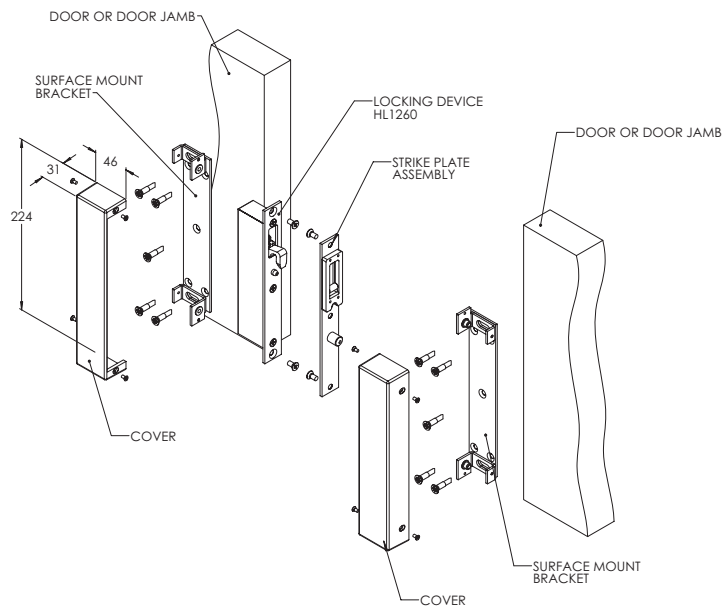
Strike Plate HL1260



Locking Device HL1260



HL1260-SMK Surface Mount Box



ORDER DETAILS & ACCESSORIES

PART NO.	PRODUCT DESCRIPTION
HL1260-SMK	Surface mount kit for motorised hook lock HL1260 or strike plate (one kit required per item)



WALKING GENTLY
ON OUR PLANET



FSH is an Allegion™ company

